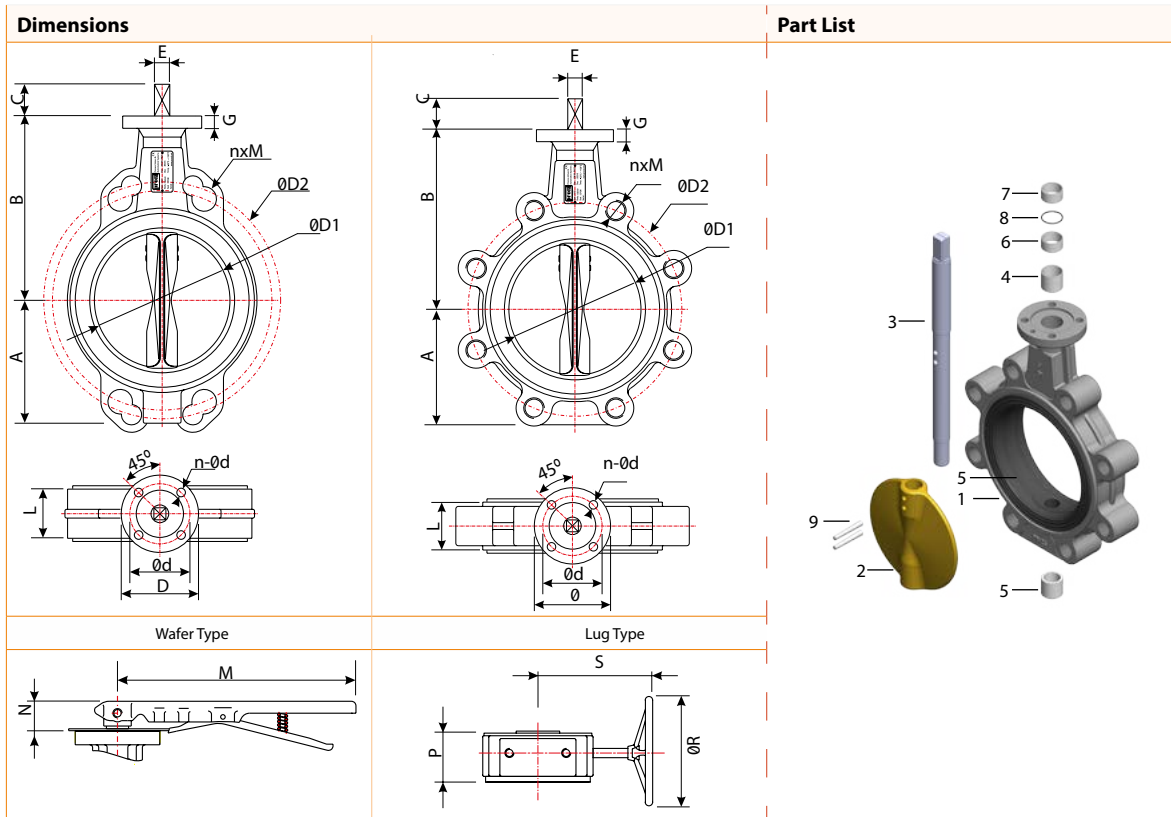




V107 Series Wafer / Lug Type Butterfly Valves - PN25 Rated

- Available in sizes from DN50 to DN600-Offered in Wafer and Lug configurations.
- Rubber liner vulcanized integrally to the body ensuring reduced torque and a long lifetime. It extends along the valve faces, eliminating the use of flange gaskets.
- Bidirectional bubble tight shut off at full rated pressure of 25 bar(g).
- Wafer type valves have body fitted with flange locating holes drilled to meet PN25 and ANSI Class 300 flanges.
- Lug type Valves have body fitted with tapped holes and suitable for mounting between PN25 or ANSI Class 300 Flanges.



Material List

No	Part Name	Material	No	Part Name	Material	No	Part Name	Material
1	Body	GGG40 Ductile Iron	4	Bushing	Bronze	7	Bushing	Bronze
2	Disc	AISI304 / AISI316 / Alu-Bronze	5	Seat	EPDM / NBR	8	O-ring	NBR
3	Stem	AISI431	6	Bushing	Bronze	9	Screw	Stainless Steel

Dimensions(mm)

Size (DN)	A	B	C	L	D	Ød	n-Ød	E	G	N	M	P	S	ØR	ØD1	ØD2 Wafer Type			nxM Lug Type		Torque (Nm)
																PN16	PN25	CL300	PN16	PN25	
50	65	138	32	43	90	70	4-Ø10	11	14	32	210	64	174	150	52,90	125	125	127	4-16	4-M16	20
65	75	153	32	46	90	70	4-Ø10	11	14	32	210	64	174	150	67,5	145	145	149.2	4-16	8-M16	40
80	95	155	32	46	90	70	4-Ø10	11	14	32	210	64	174	150	82,2	160	160	168.3	4-16	8-M16	50
100	114	178	32	52	90	70	4-Ø10	14	14	32	265	64	174	150	105,5	180	190	200	8-16	8-M20	100
125	126	193	32	56	90	70	4-Ø10	17	14	32	265	64	174	150	124,2	210	220	235	8-16	8-M24	115
150	140	210	32	56	90	70	4-Ø10	17	14	32	265	64	174	150	157	240	250	269.9	8-20	8-M24	210
200	170	240	32	60	125	102	4-Ø12	22	15	80	300	80	300	300	203,5	295	310	330.2	12-20	12-M24	440
250	208	285	32	68	125	102	4-Ø12	22	15	80	300	80	300	300	251,9	355	370	387.4	12-24	12-M27	535
300	240	315	32	78	150	125	4-Ø14	27	18,5	82	300	82	300	300	302,8	410	430	450.8	12-24	16-M27	1125
350	300	350	65	78	175	140	4-Ø18	27	25						333	470	490		16-24	16-M30	
400	330	385	80	102	210	165	4-Ø23	27	30						390	525	550		16-27	16-M33	
450	360	410	80	114	276	216	4-Ø23	36	30						440	585	600		20-27	20-M33	
500	400	435	110	127	300	254	8-Ø18	46	30						492	650	660		20-30	20-M33	
600	455	505	110	154	300	254	8-Ø18	46	30						593	770	779		20-33	20-M36	